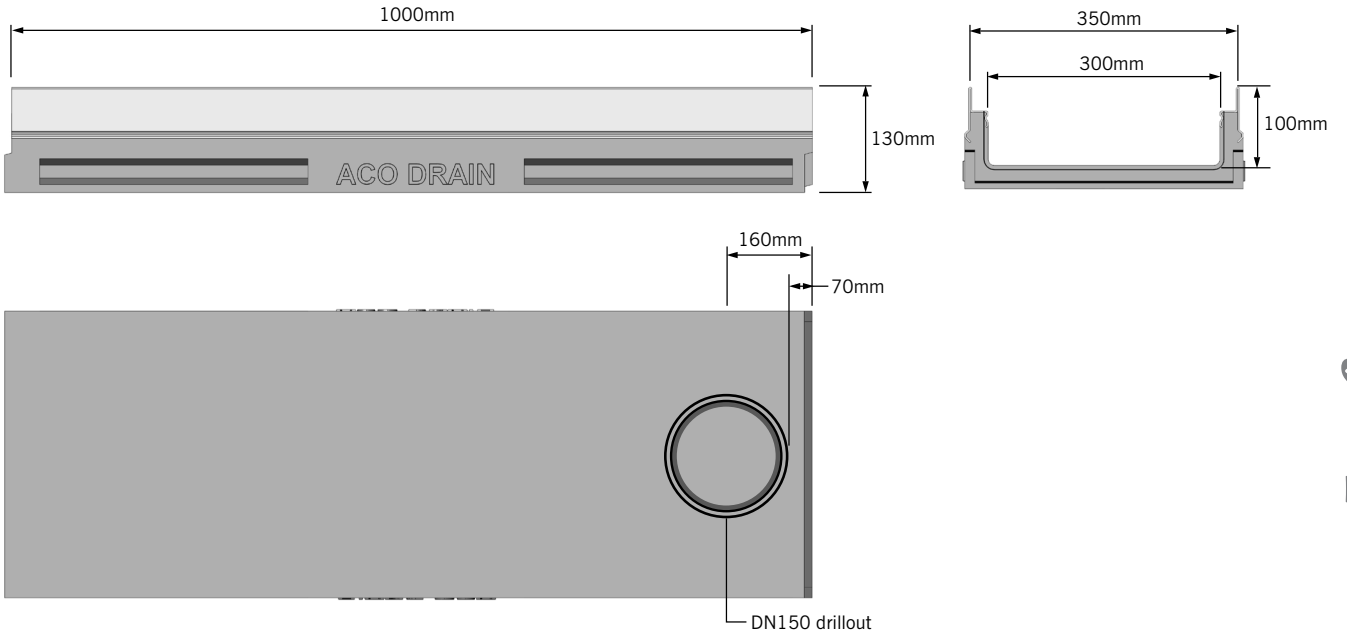
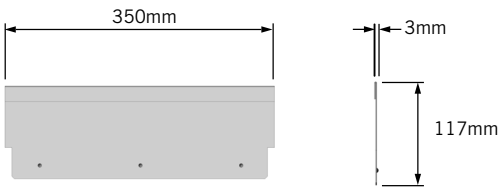




H300K channel with galvanised steel edge rails
 H300KS channel with stainless steel edge rails



End Cap



Outlet flow rates

Product	Outlet size	Invert Depth (mm)	L/s
H300K/H300KS	100mm round	100	7.2

Note: These are the pipe flow rates at the specified outlet, **NOT** channel flow rates.

ACO Specification Information





Description	Part No.	Invert ¹ (mm)	Weight (kg)
H300K Neutral channel with galvanised steel edge rails - (1m)	141791	100	33.7
H300KS Neutral channel with stainless steel edge rails - (1m)	141792	100	33.7
End cap	141796	130 ²	1.4
Grate removal tool	01318	-	0.1
QuickLok bar	10458	-	0.1

Notes:

1. To calculate overall channel depth add 30mm to invert depth.
2. Overall depth of end cap.

Specifications			
General The surface drainage system shall be ACO's SlabDrain H300K/H300KS* polymer concrete shallow channel system with galvanised/stainless* steel edge rails as manufactured by ACO.	Flexural Strength:	26 MPa	130mm for use in areas with depth restrictions.
	Tensile Strength:	14 MPa	All channels shall be interlocking with a male/female joint.
	Water Absorption:	0.07%	
	Frost Proof:	YES	
	Coefficient of Expansion/Contraction:	2.02x10 ⁻⁵ /°C	
	Water Vapour Transmission:	0.0364g/m ²	
	Non Flammable:	YES	
	Roughness (Mannings):	n=0.011	
	Resistant to Weathering:	YES	
	Dilute Acid and Alkali Resistant:	YES	
Materials H300K/H300KS* channels shall be manufactured from polyester resin polymer concrete with integrally cast-in galvanised/stainless* steel edge rails. Properties of polymer concrete will be as follows with supporting documentation:	SF Sealant Groove:	YES	
	Channels H300K/H300KS* channel shall be 300mm nominal internal width with an overall width of 350mm. Channels shall have an overall depth of		
Compressive Strength:	98 MPa		
			Grates <i>Insert specification for the selected grate. Refer to the relevant ACO Specification Information sheet, click: http://www.acodrain.com.au/resources</i>
			Installation The complete drainage system shall be by ACO and to be installed for its intended purpose. Any deviation or partial use of the specified system and/or improper installation will void all warranties provided by ACO.
			*delete as appropriate

**ACO Polycrete Pty Ltd
Australia**

Ph: 1300 765 226
www.acodrain.com.au
sales@acoaus.com.au

**ACO Limited
New Zealand**

Ph: 0800 448 080
www.acodrain.co.nz
sales@aconz.co.nz



© February, 2014 ACO Polycrete Pty Ltd. All reasonable care has been taken in compiling the information in this document. All recommendations and suggestions on the use of ACO products are made without guarantee since the conditions of use are beyond the control of the company. It is the customer's responsibility to ensure that each product is fit for its intended purpose and that the actual conditions are suitable. ACO Polycrete Pty Ltd. pursues a policy of continuous product development and reserves the right to amend specifications without notice.